

# Jet - Countertop

The Jet countertop hospitality system facilitates the hydration of your customers while remaining elegant, compact and functional. This is particularly helpful in situations where space is limited but a large quantity of quality drinking water is required.

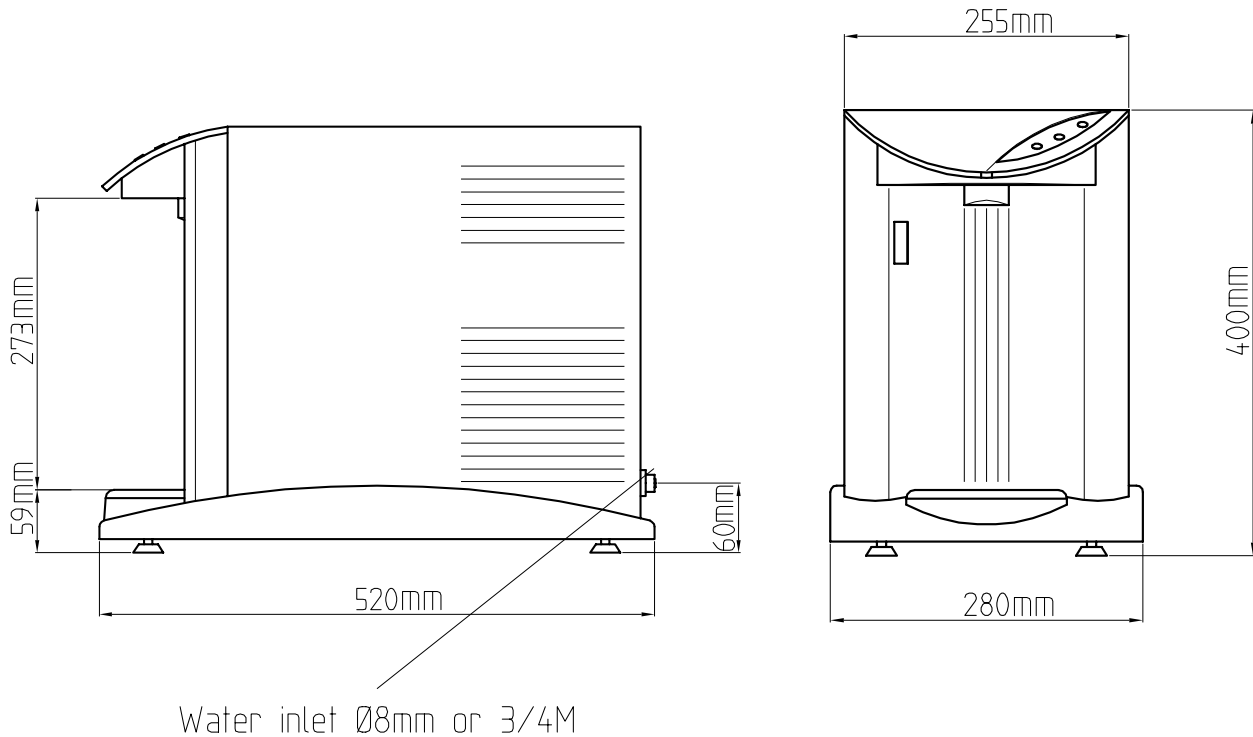
The jet counter top is a functional water dispenser and perfectly suited to most high volume locations and features unique ice bank technology (no water tank) ensuring the highest standards of hygiene are maintained. The jet counter top water dispenser provides a solution that maximises space and delivers both optimum performance and excellent reliability.

## Key features

- Special safety valve prevents accidental water leakage
- Stainless steel hot water reservoir taking temperature to a maximum of 95 °C
- Integrated drip tray
- Electronic control (optional)



## Product details



Water options	Technical features	
Cold & ambient	Types available	Countertop
Cold, ambient & hot	Colour	Grey/Black
Cold, ambient & sparkling	Capacity	30L per hour 45L per hour
	Weight	Cold & ambient 30L: 21KG Cold, ambient & hot 30L: 23KG Cold, ambient & sparkling 30L: 26KG Cold & ambient 45L: 22KG Cold, ambient & hot 45L: 24KG Cold, ambient & sparkling 45L: 27KG

### Installation requirements

The unit must be connected to a potable water supply, with a minimum water pressure of 2.5 bar.

## Tested and Certified



Waterlogic International Limited and WLI Trading Limited reserves the right, in order to reflect continuous research and development, to amend or change specifications without prior notice. Waterlogic and the Waterlogic logo, Firewall and the Firewall logo are trademarks in countries where the Group operates. WLI Trading Ltd is licensed to use BioCote, and BioCote logo which are registered trademarks of BioCote Ltd.